


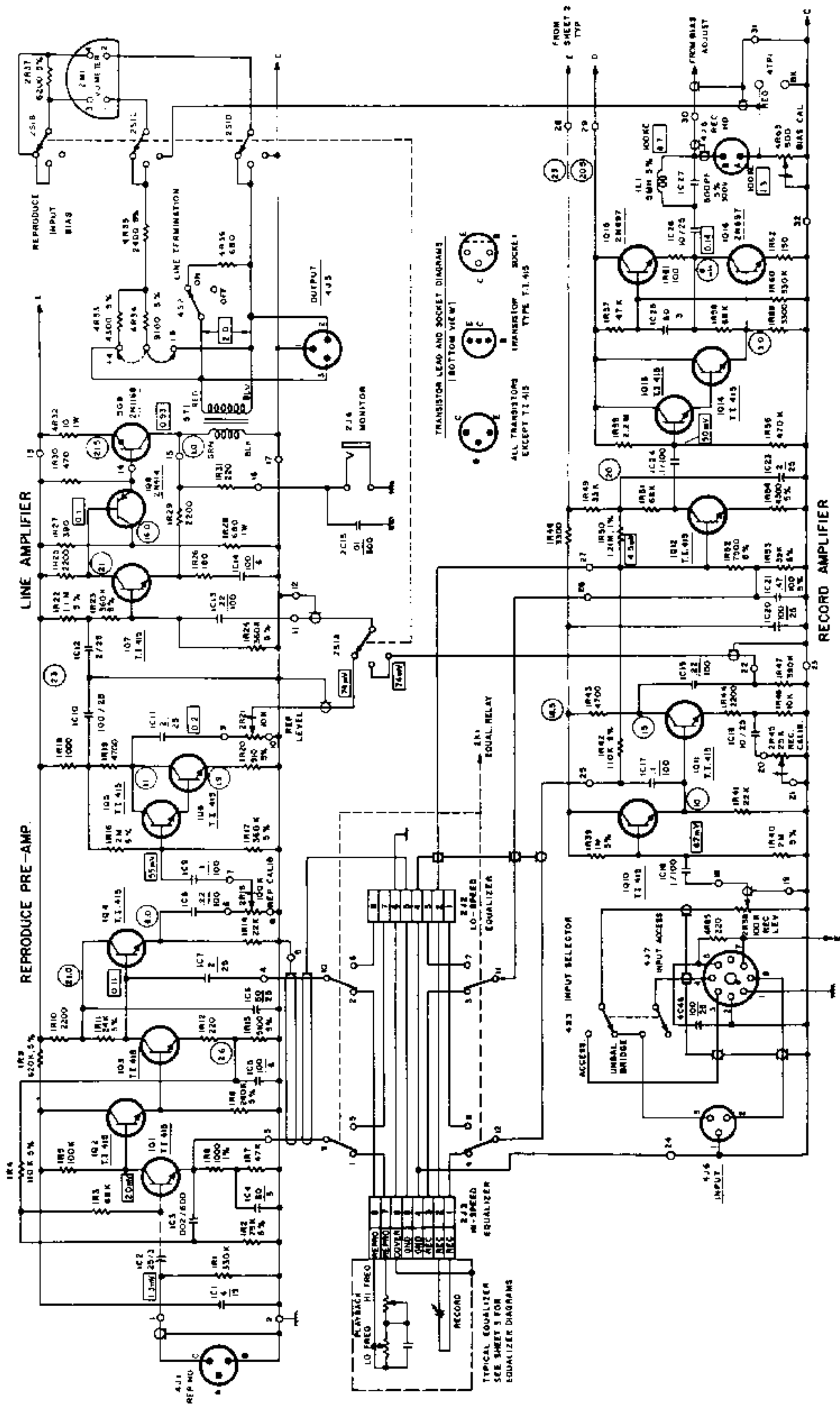


NOTES -

1. ALL RESISTORS IN OHMS , 1/2 W , 10 % , UNLESS OTHERWISE SPECIFIED .
2. ALL CAPACITORS IN MFD , UNLESS OTHERWISE SPECIFIED .
3. COMPONENT LOCATION IS INDICATED BY FIRST DIGIT OF SCHEMATIC REFERENCE NUMBER :
 - 1 - PRINTED CIRCUIT BOARD
 - 2 - FRONT PANEL
 - 3 - LEFT PANEL (WHEN FACING FRONT)
 - 4 - BACK PANEL
 - 5 - RIGHT PANEL
 - 6 - POWER SUPPLY
4.  INDICATES TERMINAL ON P.C. BOARD .
5.  INDICATES D.C. VOLTAGE TO GROUND , MEASURED WITH A 20,000 Ω / V METER .
6.  INDICATES SIGNAL VOLTAGE TO GROUND OR OTHER LINE AS INDICATED AT 500 CPS WITH 7.5 I.P.S. N.A.B. EQUALIZER IN USE . MEASURED WITH A 10 M Ω INPUT VTVM .
60 CPS VOLTAGES MEASURED WITH A 5000 Ω / V METER .



FOR NOTES SEE SHEET 2

Fig. 7-3 Schematic Diagram, Record/Reproduce Electronics, Sheet 1 of 3

1. ALL RESISTORS IN OHMS, 1/2 W, 10%, UNLESS OTHERWISE SPECIFIED.
 2. ALL CAPACITORS IN MFD, UNLESS OTHERWISE SPECIFIED.
 3. COMPONENT LOCATION IS INDICATED BY FIRST DIGIT OF SCHEMATIC REFERENCE NUMBER:
 - 1 - PRINTED CIRCUIT BOARD
 - 2 - FRONT PANEL
 - 3 - LEFT PANEL (WHEN FACING FRONT)
 - 4 - BACK PANEL
 - 5 - RIGHT PANEL
 - 6 - POWER SUPPLY
 4. 15 INDICATES TERMINAL ON P.C. BOARD.
 5. 23 INDICATES DC VOLTAGE TO GROUND, MEASURED WITH A 20,000 Ω/V METER.
 6. 75 INDICATES SIGNAL VOLTAGE TO GROUND ON OTHER LINE AS INDICATED AT 500 CPS WITH 7.5 I.P.S. N.A.B. EQUALIZER IN USE. MEASURED WITH A 10M Ω INPUT VTVM.
- 60 CPS VOLTAGES MEASURED WITH A 5000 Ω/V METER.

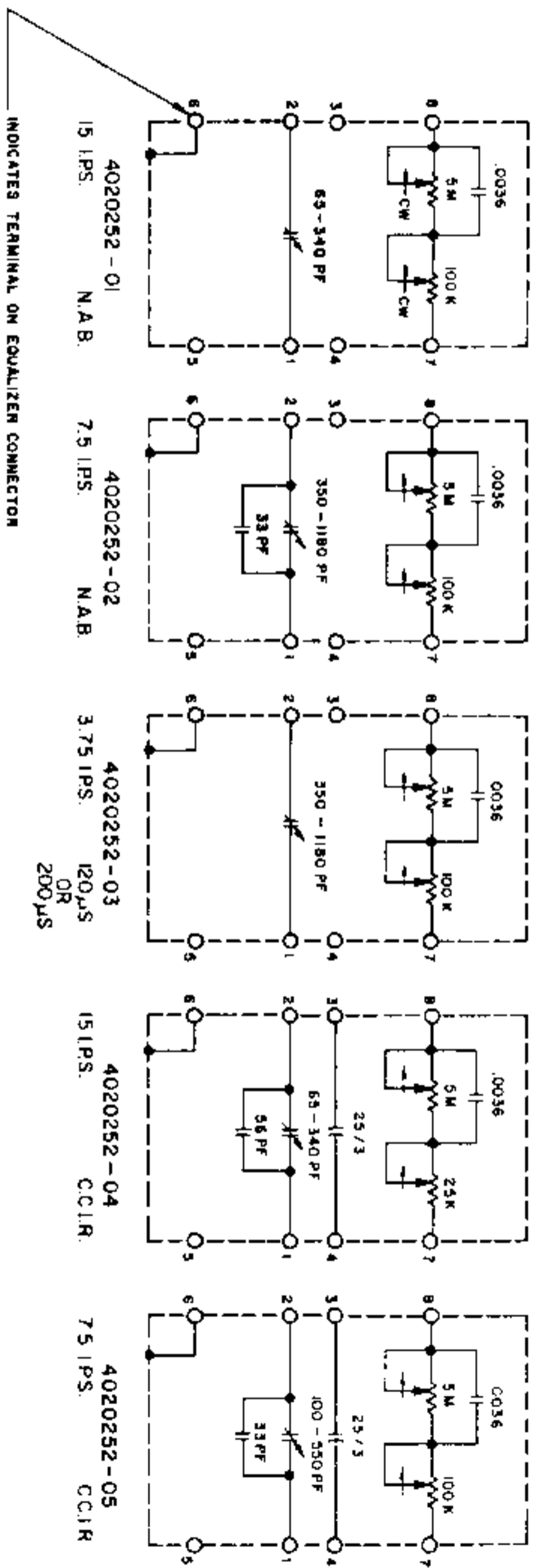
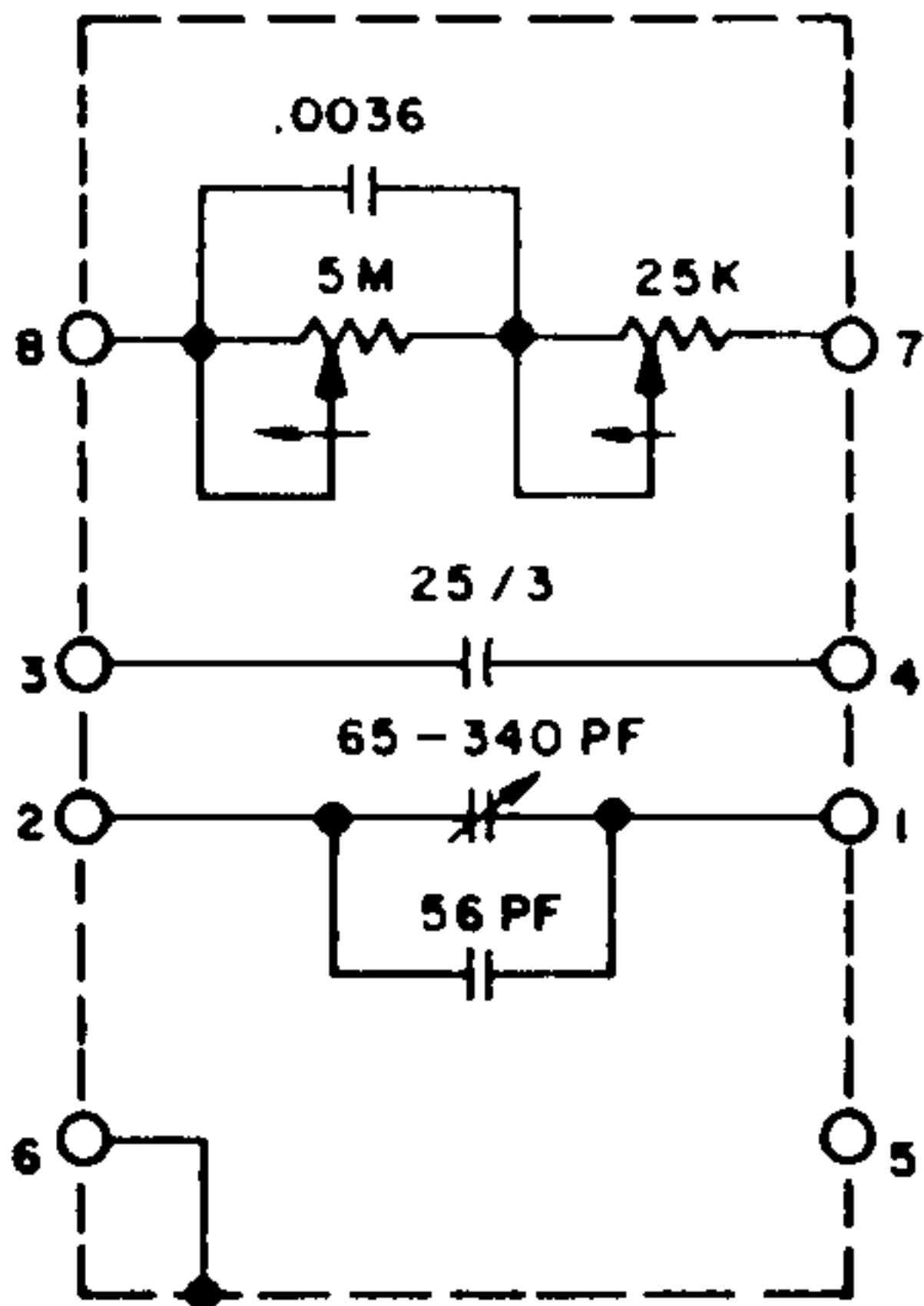


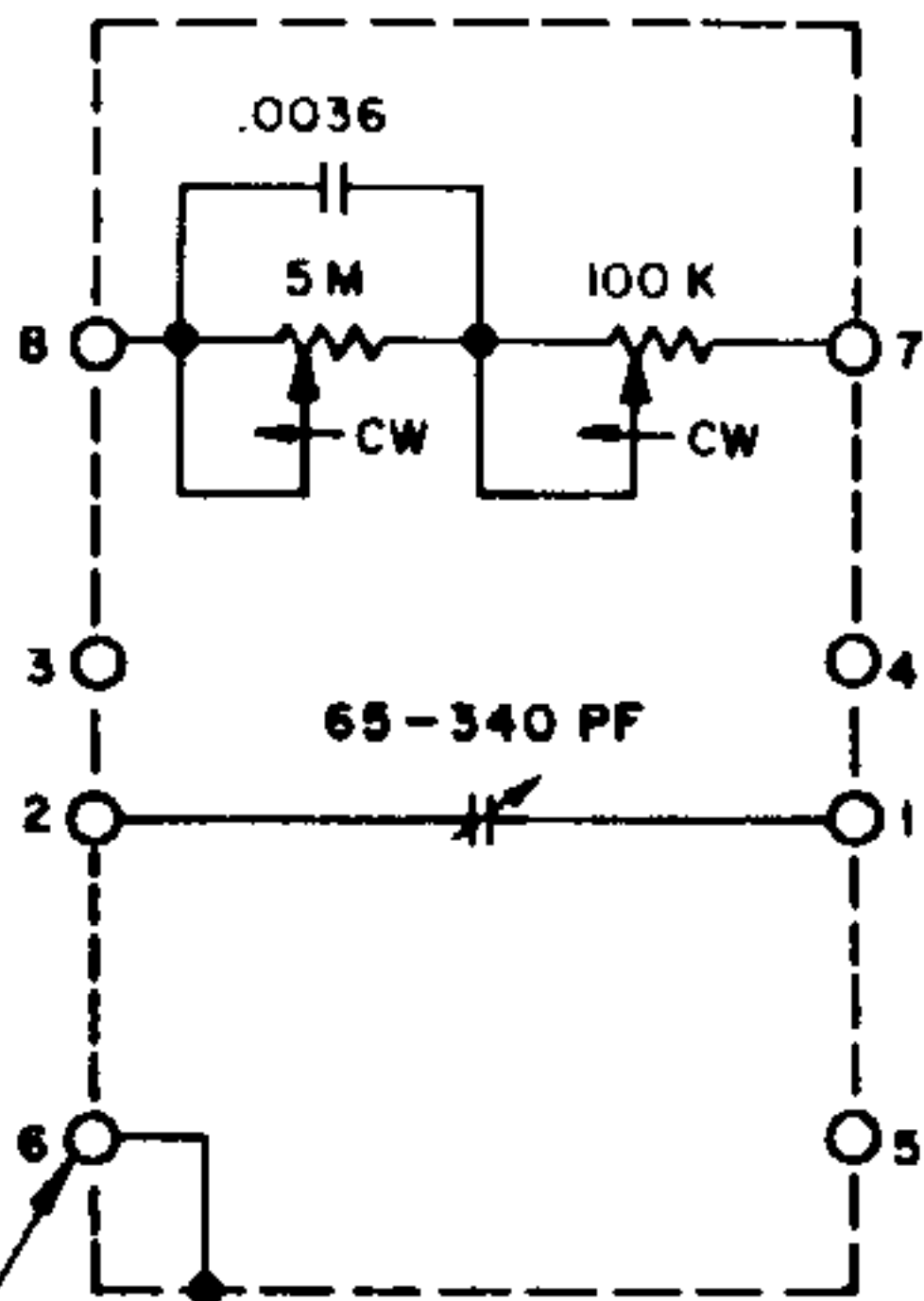
Fig. 7-5 Schematic Diagram, Record/Reproduce Electronics, Sheet 3 of 3



4020252 - 04

15 I.P.S.

C.C.I.R.

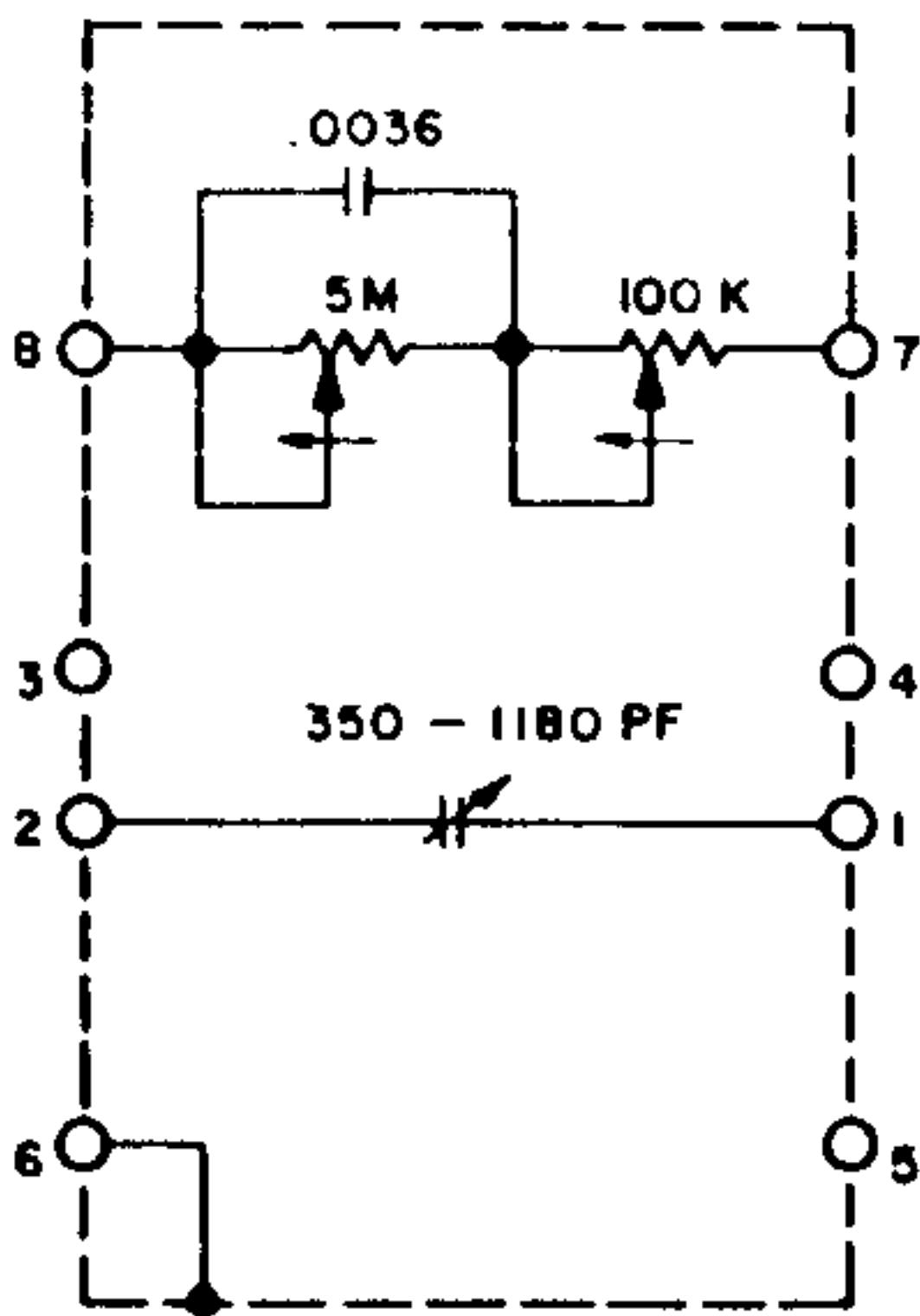


4020252 - 01

15 I.P.S.

N.A.B.

INDICATES TERMINAL ON EQUAL



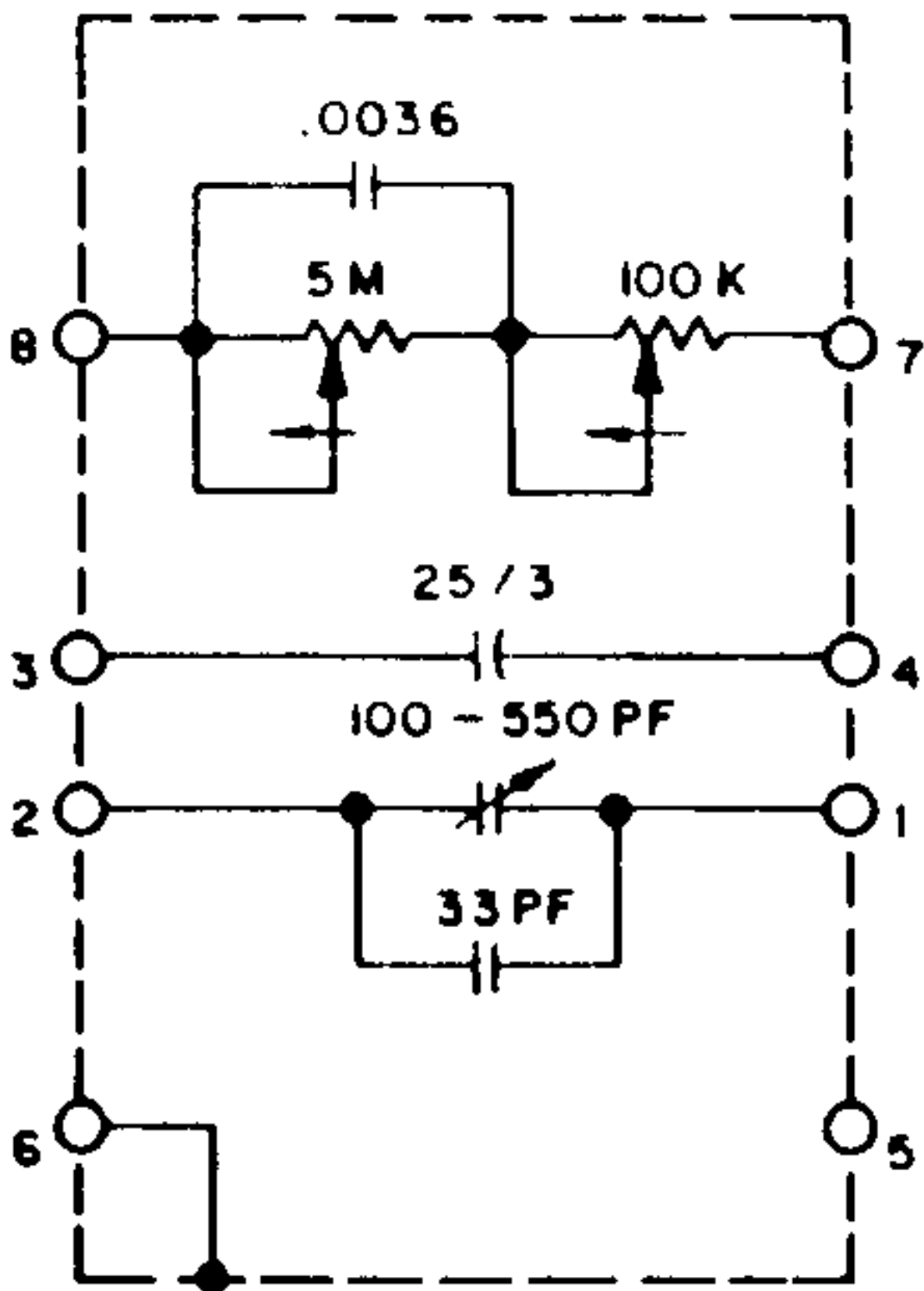
4020252-03

3.75 I.P.S.

120 μ S

OR

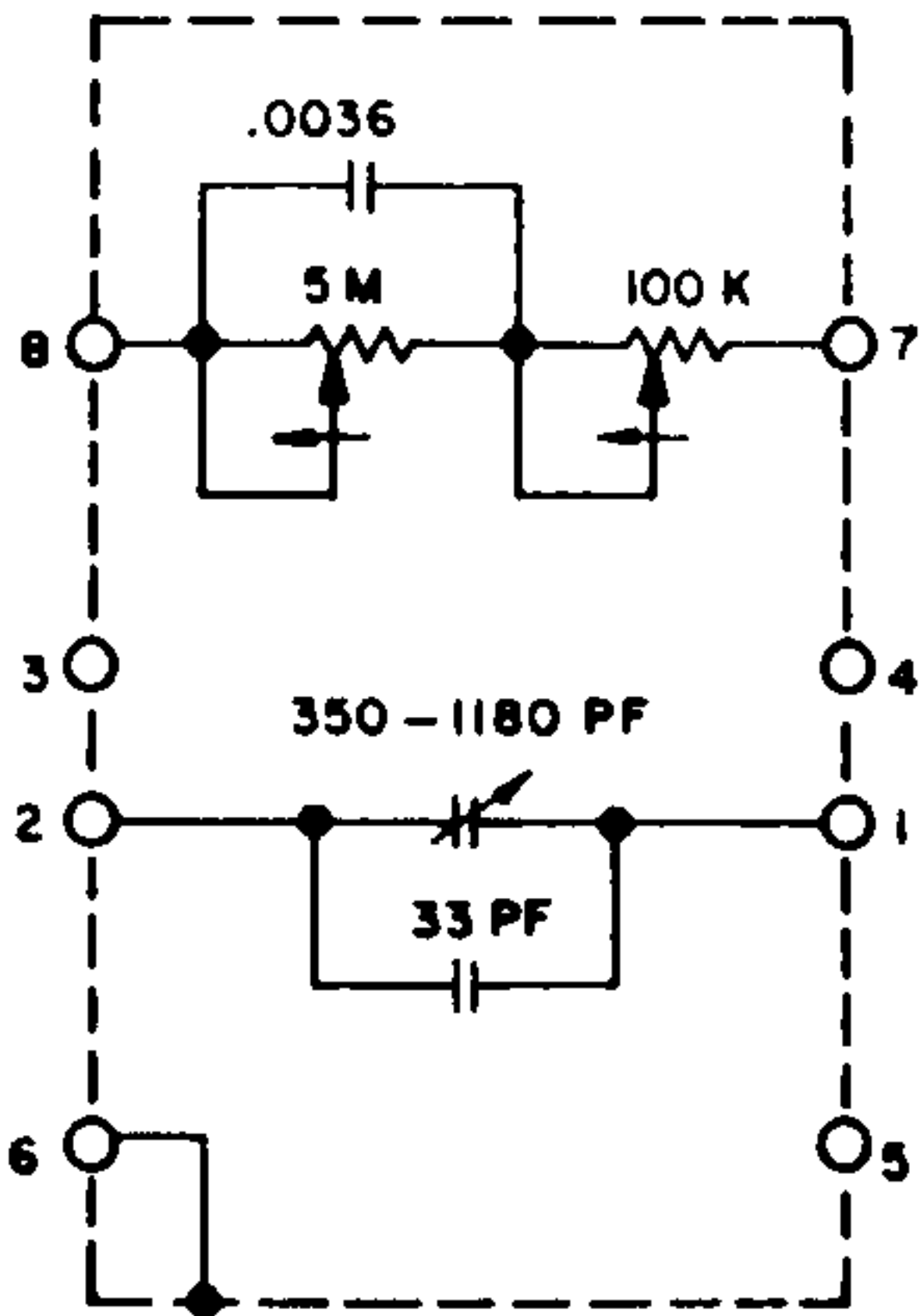
200 μ S



4020252 - 05

7.5 I.P.S.

C.C.I.R.



4020252 - 02

7.5 I.P.S.

N.A.B.